



# CPD18FVL

Electric Counterbalance Forklift 1.8T

**LION**  
TECHNOLOGY

**EP EQUIPMENT CO.,LTD**  
[www.ep-ep.com](http://www.ep-ep.com)

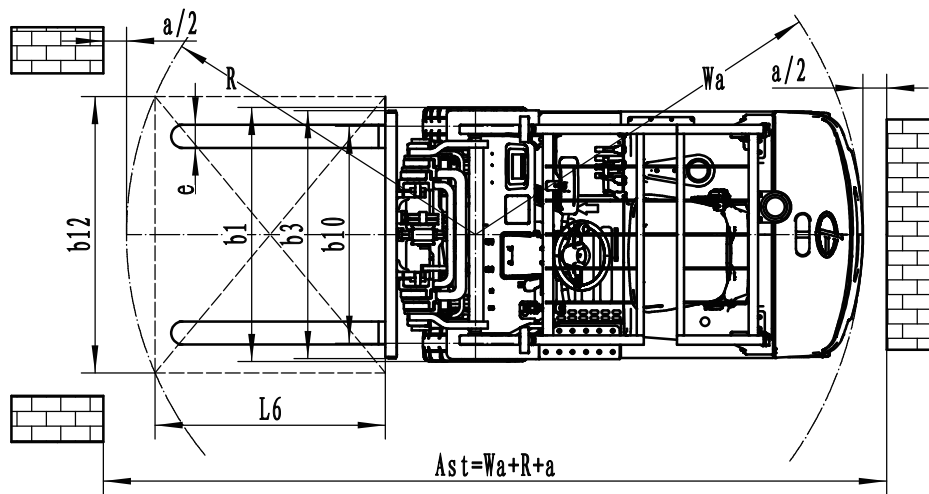
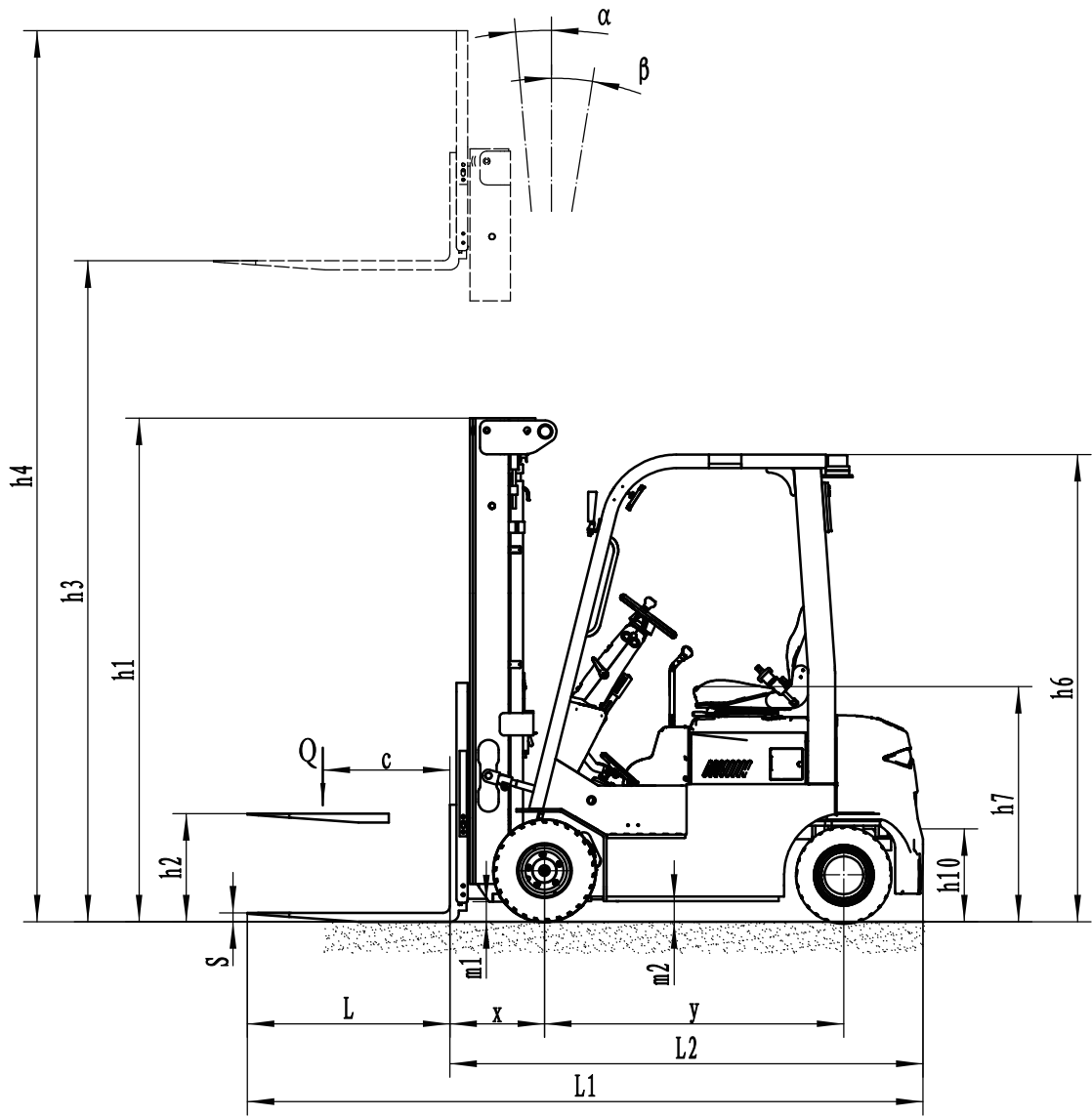


# Electric Counterbalance Forklift 1.8T

## CPD18FVL

Distinguishing mark	1.1	Manufacturer			EP
	1.2	Model designation			CPD18FVL
	1.3	Drive			Electric
	1.4	Operator type			Seated
	1.5	Load capacity	Q	kg	1800
	1.6	Load center distance	c	mm	500
	1.8	Load distance, centre of drive axle to fork	x	mm	420
	1.9	Wheelbase	y	mm	1330
	Service weight	2.1	Service weight		kg
2.2		Axle loading, laden front/rear		kg	4368/592
2.3		Axle loading, unladen front/rear		kg	1320/1840
Tyres/chassis	3.1	Tyre type			Solid
	3.2	Tyre size, front			18X7-8
	3.3	Tyre size, rear			16x6-8
	3.5	Wheels, number front/rear (x=drive wheels)		mm	2X2
	3.6	Tread width, front	b10	mm	943
	3.7	Tread width, rear	b11	mm	890
Dimensions	4.1	Tilt of mast/fork carriage forward/backward	$\alpha/\beta$	°	6/7
	4.2	Retracted mast height	h1	mm	2075
	4.3	Free lift	h2	mm	100
	4.4	Lift height	h3	mm	3000
	4.5	Height, mast extended	h4	mm	4055
	4.7	Height of overhead guard (cabin)	h6	mm	2078
	4.8	Seat height/standing height	h7	mm	1050
	4.12	Tow coupling height	h10	mm	600
	4.19	Overall length	l1	mm	2833
	4.20	Length to face of forks	l2	mm	1913
	4.21	Overall width	b1/b2	mm	1070
	4.22	Fork dimensions	s/e/l	mm	100X40X920
	4.23	A,B Fork carriage class/type A, B			2A
	4.24	Fork carriage width	b3	mm	1040
	Performance data	4.31	Ground clearance, laden, below mast	m1	mm
4.32		Ground clearance, center of wheelbase	m2	mm	92
4.34.1		Aisle width for pallets 1000×1200 crossways	Ast	mm	3422
4.34.2		Aisle width for pallets 800×1200 lengthways	Ast	mm	3548
4.35		Turning radius	Wa	mm	1680
5.1		Travel speed, laden/unladen		km/h	13/14
5.2		Lifting speed, laden/unladen		m/s	0.4/0.5
5.3		Lowering speed, laden/unladen		m/s	0.55/0.55
5.5		Drawbar pull, laden/unladen		N	—
5.6		Max. drawbar pull, laden/unladen		N	—
Electric-engine	5.8	Max. gradeability, laden/unladen		%	10/15
	5.10	Service brake			Hydraulic
	5.11	Parking brake			Mechanical
	6.1	Drive motor rating S2 60 min		kW	5.0X2
	6.2	Lift motor rating at S3 15%		kW	11
	6.4	Battery voltage/nominal capacity		V/Ah	80V/205AH
Addition data	6.5	Battery weight		kg	220
	8.1	Type of drive control			AC
	10.5	Steering design			Hydraulic
	10.7	Sound pressure level at the driver's ear		dB(A)	70

If there are improvements of technical parameters or configurations, no further notice will be given.  
The diagram shown may contain non-standard configurations.



# Mast Option

Mast types	Lift height (h3)	Height, Mast			Height, Free lift(h2)	
		Height, mast lowered(h1)	Height, mast extended(h4)		No backrest	With backrest
			No backrest	With backrest		
			mm	mm		
2-Standard Mast	3000	2075	3740	4055	100	100
	3600	2375	4340	4655	100	100
	4000	2455	4740	5055	100	100
3-Free Mast	4500	2140	5240	5555	1430	1115
	4800	2240	5540	5855	1530	1215
	5000	2305	5740	6055	1595	1280
	5500	2475	6240	6555	1765	1450
	6000	2690	6740	7055	1980	1665

# Option

No.	Optional items	CPD18FVL
1.1	Fork dimension	●100*40*920○100*40*1070○100*40*1100○100*40*1150 ○100*40*1220○100*40*1370○100*40*1520○100*40*1800
1.4	Fork carriage width	●1040mm○Yes and can be customized
1.5	Fork carriage height	●1067mm (42in) ○1220mm (48in) ○1520mm (60in) ○Yes and can be customized
2.5	Front wheel material	● Solid○ Non-marking solid
2.6	Rear wheel material	● Solid○ Non-marking solid
2.7	Battery capacity	●205Ah
2.8	Charger	●80V-35A single-phase integrated○80V-60A 3-phase integrated ○80V-35A single-phase external○80V-65A 3-phase external
2.9	Battery indicator	●With time
2.10	Seat type	○Regular●Premium○Suspension○Suspension+seatbelt logic switch
2.11	Attachments	●No○Built-in sideshifter○External shifter○Adjustable fork
2.13	Traction pin	●Yes
3.5	Front lamp	●LED
3.6	Rear lamp	●No○LED
3.7	Warning lamp	●Yes
3.8	Steering lamp	●Yes
3.9	Blue lamp	●No○2 front○1 rear○2 front +1 rear
3.10	Area warning lamp	●No○1 left + 1 right (Red)
3.11	Rearview mirror	●1 in the middle○Add 1 rearview mirror on both sides
3.12	Buzzer	●Yes
3.17	OPS system	●Yes
3.23	Telematics	●No○Yes and not customized
4.3	Cabin	●No
4.9	Heater	●No

Note: ●Standard ○ Optional - Inconformity