

Simple/Solid/
Smart



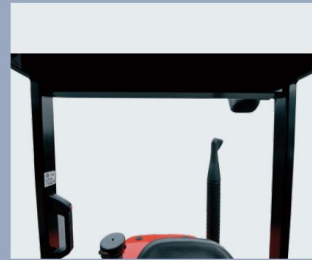
EP
Let's grow together

Two-Wheel Drive Rough Terrain Forklift

with capacities of 2,500 to 3,500kg



The new efficiency lighting system employs LED illuminant and new type reflector to reduce energy consumption, improve significantly illumination performance and prolong work time



Optimized designing structure to offer a good visibility and easy entrance of the pallet



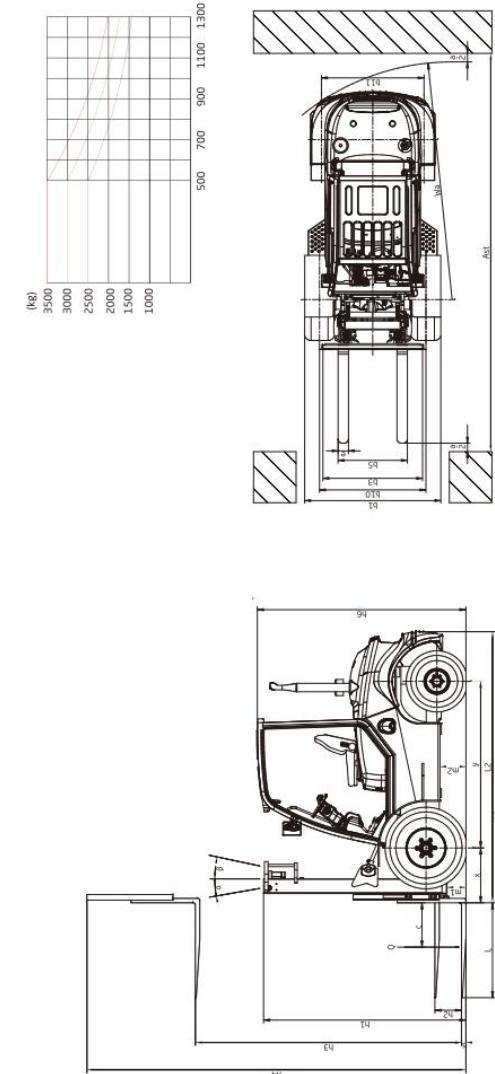
The new designed steering wheel\ new brake system and the easy-to-operate levers provide total handling operation.



The easy-to-open hook provides quick access to the engine compartment

Two-Wheel Drive Rough Terrain Forklift

Distinguishing mark	EP						
	CPCD25-XW33E-RT	CPCD30-XW33E-RT	CPCD35-XW33E-RT	CPCD25-XW43E-RT	CPCD30-XW43E-RT		
1.1	Manufacturer						
1.2	Manufacturer's type designation						
1.3	Drive: electric (battery or mains), diesel, petrol, fuel gas						
1.4	Operator type: hand, pedestrian, standing, seated, order-picker						
1.5	Rated capacity/rated load	Q (kg)	2500	3000	3500	2500	3000
1.6	Load centre distance	c (mm)	500	500	500	500	500
1.8	Load distance, centre of drive axle to fork	x (mm)	585	600	600	585	600
1.9	Wheelbase	y (mm)	1880	1880	1880	1880	1880
2.1	Service weight	kg	4670	5120	5380	4670	5120
2.2	Axle loading, laden front/rear	kg	6050/1120	7080/1040	7800/1080	6050/1120	7080/1040
2.3	Axle loading, unladen front/rear	kg	2010/2660	2300/2820	2280/3100	2010/2660	2300/2820
3.1	Tyres: solid rubber, superelastic, pneumatic, polyurethane						
3.2	Tyre size, front		12-16.5-14PR	14-17.5-14PR	14-17.5-14PR	12-16.5-14PR	14-17.5-14PR
3.3	Tyre size, rear		27*10-12-12PR	27*10-12-12PR	27*10-12-12PR	27*10-12-12PR	27*10-12-12PR
3.5	Wheels, number front / rear (x = driven wheels)						
3.6	Tread, front	b10 (mm)	1250	1250	1250	1250	1250
3.7	Tread, rear	b11 (mm)	1200	1200	1200	1200	1200
4.1	Tilt of mast/fork carriage forward/backward	$\alpha/\beta(^{\circ})$	10/12	10/12	10/12	10/12	10/12
4.2	Height, mast lowered	h1 (mm)	2215	2350	2350	2215	2350
4.3	Free lift	h2 (mm)	140	145	145	140	145
4.4	Lift	h3 (mm)	3000	3000	3000	3000	3000
4.5	Height, mast extended	h4 (mm)	4122	4142	4142	4122	4142
4.7	Height of overhead guard (cabin)	h6 (mm)	2390	2420	2420	2390	2420
4.19	Overall length	l1 (mm)	4205	4220	4220	4205	4220
4.20	Length to face of forks	l2 (mm)	2985	3000	3000	2985	3000
4.21	Overall width	b1 (mm)	1557	1599	1599	1557	1599
4.22	Fork dimensions	s/e/l (mm)	40*122*1220	50*122*1220	50*122*1220	40*122*1220	50*122*1220
4.23	Fork carriage DIN 15 173 --- ISO 2328, class/type A,B		B	B	B	B	B
4.24	Fork-carriage width	b3 (mm)	1150	1150	1150	1150	1150
4.25	Distance between fork-arms	b5 (mm)	290-1150	290-1150	290-1150	290-1150	290-1150
4.31	Ground clearance, laden, below mast	m1 (mm)	240	270	270	240	270
4.32	Ground clearance, centre of wheelbase	m2 (mm)	270	300	300	270	300
4.34	Aisle width	Ast (mm)	4885	4900	4900	4885	4900
4.35	Turning radius	Wa (mm)	2900	2900	2900	2900	2900
5.1	Travel speed, laden/unladen	km/h	24/26	26/28	26/28	24/26	24/26
5.2	Lift speed, laden/unladen	m/s	0.620/0.640	0.490/0.510	0.430/0.510	0.620/0.640	0.490/0.510
5.3	Lowering speed, laden/unladen	m/s	0.500/0.440	0.500/0.450	0.500/0.450	0.500/0.440	0.500/0.450
5.5	Drawbar pull, laden	N	21000	22000	23000	21000	22000
5.7	Gradeability, laden	%	27	22	22	26	21
5.10	Service brake		Hydraulic	Hydraulic	Hydraulic	Hydraulic	Hydraulic
	Parking brake		Mechanical	Mechanical	Mechanical	Mechanical	Mechanical
7.1	Engine manufacturer/type		YANMAR 4TNE98	YANMAR 4TNE98	YANMAR 4TNE98	CUMMINS QSF2.8t3NA49	
7.2	Engine power according to DIN ISO 1585	kw/r/min	42.1/2300	42.1/2300	42.1/2300	36.5/2500	36.5/2500
7.3	Rated speed	Nm/r/min	196/1700	196/1700	196/1700	186/1500	186/1500
7.4	Number of cylinders/displacement	-(l)/cm ³	4/3319	4/3319	4/3319	4/2800	4/2800
7.10	Battery voltage/nominal capacity	V/Ah	12/90	12/90	12/90	12/90	12/90
10.3	Hydraulic Tank - capacity (drain & refill)	liter	65	65	65	65	65
10.4	Fuel tank capacity	liter	65	65	65	65	65



2.5-3.5t Mast:(pneumatic)

Type	Model	Max.fork height	Overall height						Free lift				Front Overhang		Tilt range	
			Lowered (mm)		Extended		Without backrest (mm)		With backrest (mm)		Without backrest (mm)		With backrest (mm)		FwD	BwD
			2.5t	3/3.5t	2.5t	3/3.5t	2.5t	3/3.5t	2.5t	3/3.5t	2.5t	3/3.5t	2.5t	3/3.5t		
Wide view free full free triple mast	RTE25/35M300	3000	2215	2350	3782	3993	4122	4142	140	145	140	145	585	600	10	12
	RTE25/35M330	3300	2365	2500	4082	4293	4422	4442	140	145	140	145	585	600	10	12
	RTE25/35M350	3500	2465	2600	4282	4493	4622	4642	140	145	140	145	585	600	10	12
	RTE25/35M370	3700	2615	2700	4482	4693	4822	4842	140	145	140	145	585	600	10	12
	RTE25/35M400	4000	2815	2950	4782	4993	5122	5142	140	145	140	145	585	600	10	12
Wide view free full free triple mast	RTE25/35M400	4000	2115	2300	4860	5025	5122	5269	1255	1275	993	1031	603	618	10	12
	RTE25/35M430	4300	2215	2400	5160	5325	5422	5569	1355	1375	1093	1131	603	618	10	12
	RTE25/35M450	4500	2265	2450	5360	5525	5622	5769	1405	1425	1143	1181	603	618	10	12
	RTE25/35M470	4700	2365	2550	5560	5725	5822	5969	1505	1525	1243	1281	603	618	10	12
	RTE25/35N500	5000	2515	2700	5860	6025	6122	6269	1655	1675	1393	1431	603	618	6	6
	RTE25/35N550	5500	2715	2900	6360	6525	6622	6769	1855	1875	1593	1631	603	618	6	6
RTE25/35N600	6000	2965	3150	6860	7025	7122	7269	2105	2125	1843	1881	603	618	6	6	

